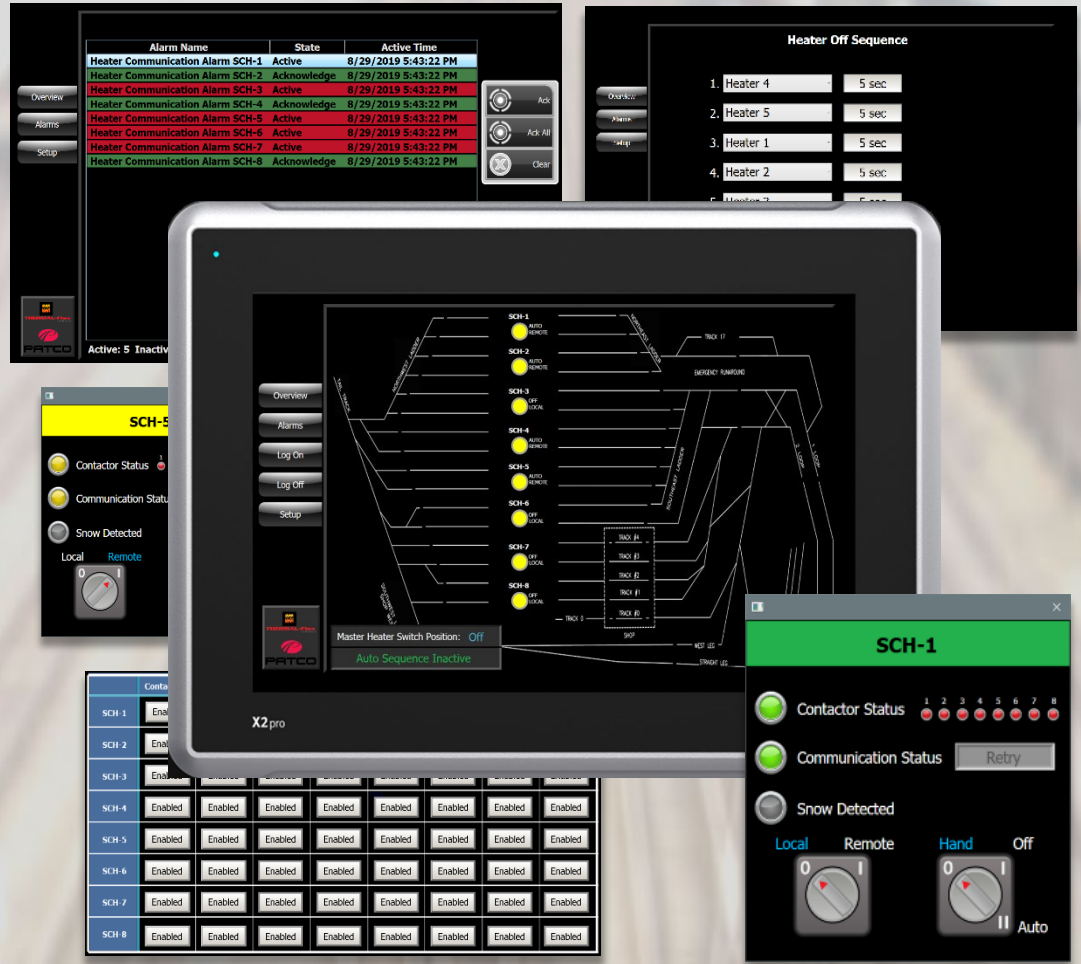




Advantages

- Improve operator situational awareness and safety with At-A-Glance Rail Yard Visualization
- Increase Safety by reducing or eliminating track-wide, local manual inspections and operation of track heating by operators
- Reduce time to resolve critical Rail Yard issues with detailed diagnostics for entire heating system including communication, snow detection, and power diagnostics
- Reduce operator training and improve peer-to-peer instruction with intuitive operator interface
- Easy Rail Heating Control including Remote/Local Control using Intuitive Rail Heating Control Faceplates
- Rail Yard Control and Data acquisition including:
 - Rail Heating Local Control
 - Rail Heating Central / Remote Control
 - Individual Rail Heater visualization
 - Snow Detection Diagnostics
 - Alarming Active and History
- A leading Network of Suppliers for world class local support



Intelligent Rail Line Heating Operation

With Rail Heating Master® by Thermal-Flex, you can achieve the Rail Yard control, ease-of-use, and the utmost in operator situational awareness for the safe and effective operation that your Rail Yard and operators demand.

Specifically designed for Commuter Rail Yards, Rail Heating Master® provides intuitive operator interfaces combining: Rail Yard master control, Rail Yard overview, Track Segment Faceplates, and detailed system alarming and diagnostics. The simple and effective operator interfaces help you reduce training, accelerate new operator on-ramping, and increase Rail Yard uptime.

For more effective maintenance, increased support, and more uptime, Rail Heating Master is built on the Rockwell Automation platform with globally available components and support.

When you choose Rail Heating Master, you are also assured a solution backed by the expertise, services and support of Thermal-Flex, a valued provider to the Railroad, Transit and Power Industries.

Rail Heating Master®

Maximize - Yard Uptime, Operator Situational Awareness and Safety

Take Back Control of your Rail Yard Heating

by using a consolidated view of Rail Yard Heating. Control and monitor Rail Heating.

Increase Operator Safety

by having track health delivered to Operator control room and eliminating yard-wide manual inspection.

Improve Operator Situational Awareness

by using at-a-glance visualization, alarm management, visualize system performance from several plant locations

Resolve Issues Fast

by using real-time diagnostic information, trouble Alarming, and Snow Detection to speed root cause identification and resolve issues quickly.

Efficiently Increase your Operator Learning

by using intuitive navigation for reduced training requirements and improved peer-to-peer learning.

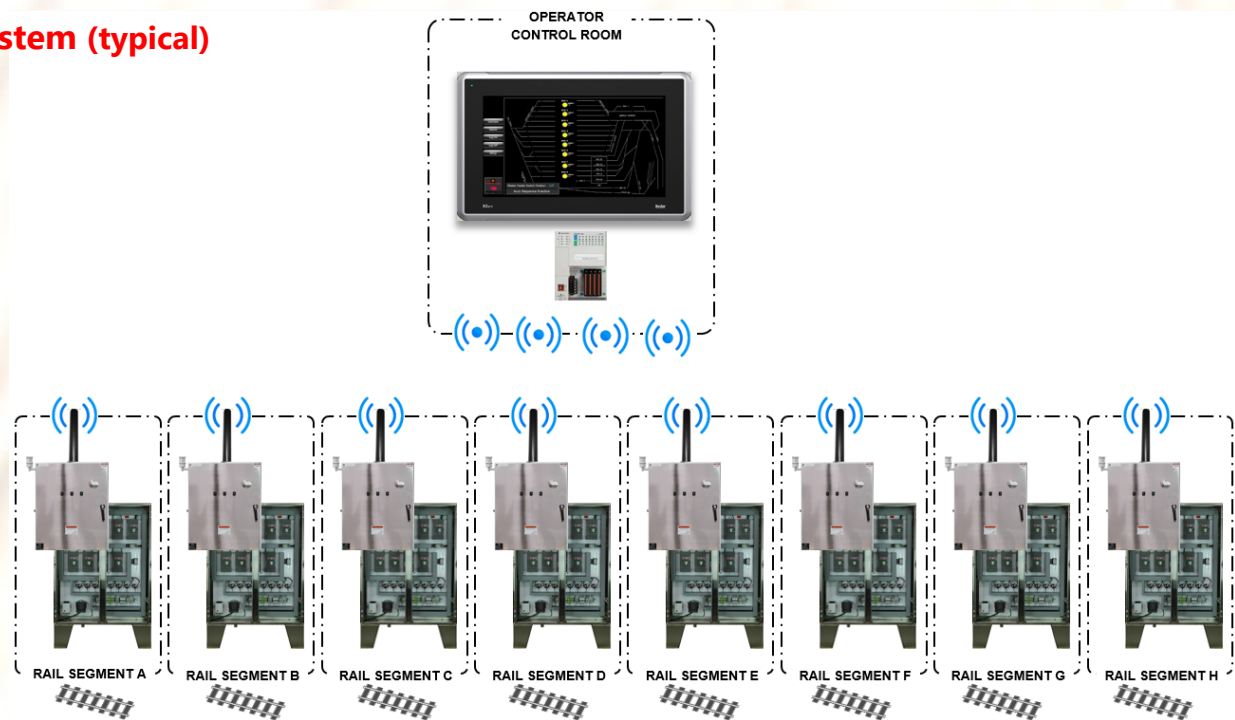
Reduce implementation Window

with a pre-engineered, pre-tested solution built on Allen-Bradley platform. Leverage set-up templates that accelerate commissioning to as short as a few days per rail.

Monitor your Rail Yard anywhere anytime

bring your plant visualization into a simple web browser either onsite or offsite.

System (typical)



Ordering / More Information

For more information about Rail Yard Master, contact Thermal-Flex at **(203) 484-2776** or online at www.tflexsys.com/contact-2/